

Keysight Technologies

M9170A PXI Attenuator/Switch Driver Module

Data Sheet



Overview

Introduction

Keysight Technologies, Inc. now provides an attenuator/switch driver based on the modular PXI platform with an emphasis on ease of configuration and operation.

Product description

The Keysight M9170A one-slot PXI attenuator/switch driver module provides flexible drive control for the expansive portfolio of Keysight RF & microwave step attenuators and electromechanical switches. It is a PXI-hybrid compliant module, which comes with a full-featured graphical interface soft front panel (SFP) for ease of control and trigger.

To maximize the PXI chassis slot utilization and improve testing efficiency, the M9170A is able to drive a combination of:

- 12 external SPDT switches or
- 4 external SP4T/6T switches or
- 12 external transfer switches or
- 2 external step attenuators

Occupying just a single slot in a PXI chassis, the M9170A provides an alternative to drive Keysight's broad portfolio of standalone switches and attenuators.

The M9170A also provides over-current protection.



Applications

- Automatic Test Equipment (ATE)
- RF communications
- Engineering verification
- RF parametric measurements
- Mid- and high-density signal routing matrix

Features

- Drive up to 12 external SPDT switches, or 4 external SP4T/6T switches, or 12 transfer switches, or 2 external attenuators¹
- Dual Voltage supply of 5V and 24V
- Dual variation of driving modes: pulsed and continuous
- Soft front panel provides a dynamic dashboard view and control of the connected attenuators or switches
- Point-to-point interface cable options available to facilitate seamless connection between the module and the various types of Keysight switches and attenuators

Customer values

- Maximize the PXI chassis slot utilization, which ultimately improves testing efficiency
- Ensure biasing compatibility with most switches and attenuators on the market therefore increasing system flexibility
- Allows quick selection of device models and the subsequent switch paths or attenuation levels
- Intuitive configuration for all Keysight switches and attenuators

1. The amount of switches and/or attenuators that can be simultaneously driven is restricted by the load current of 2A per bank.

Easy Setup ... Test ... and Maintenance

Hardware Platform

Connectors

The M9170A consists of two independent banks with 12 channels in each bank. Connection to each bank is made via the front panel through a 20-pin connector header. Please refer to the **M9170A Configuration Guide** (5991-0052EN) for instructions on point-to-point connection between the driver module and the switches/attenuators.

Interface cables

The M9170A occupies one slot in a PXI chassis and is connected to the external switches and attenuators by selecting one of the six customized interface cables. These cables will facilitate a convenient and secure connection for all devices. By having the interface cable, without mounting the switches or attenuators onto the module, you can freely attach an RF switch to the system to create the shortest length between the switch and the instrument. A shorter RF path ensures minimum power loss.

Compliance

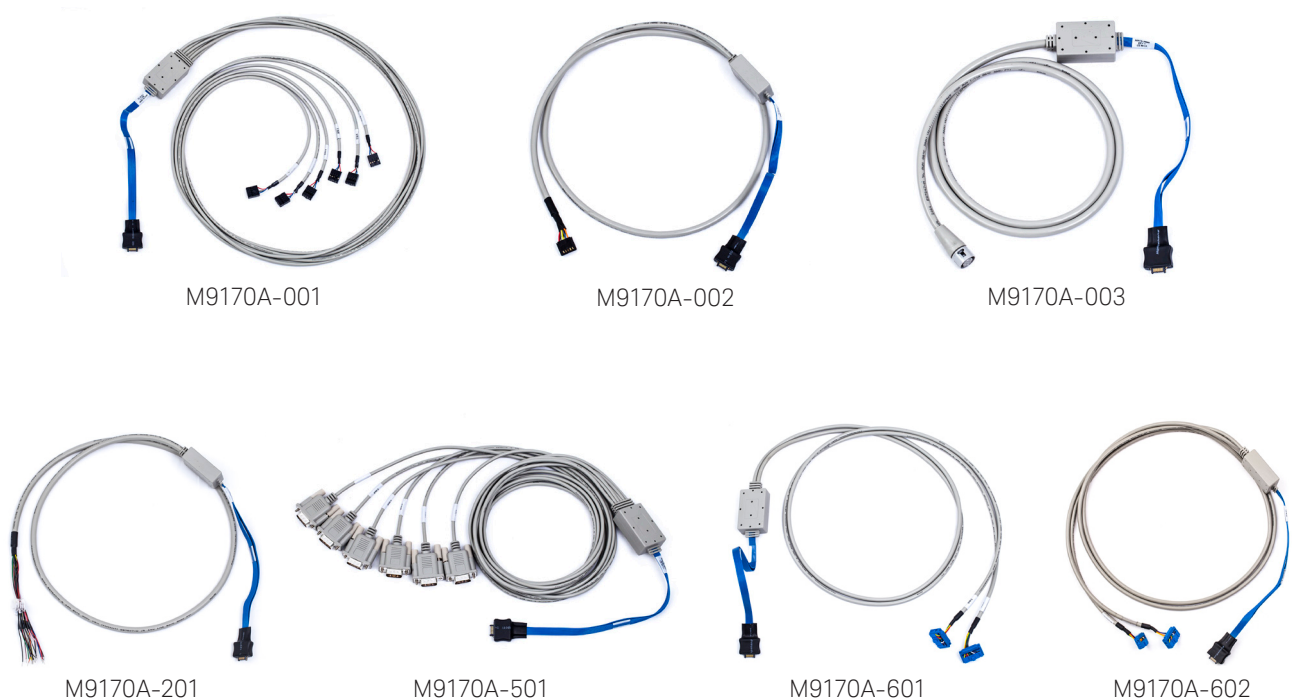
The M9170A is PXI compliant using either a PXI-H, PXI-1 or cPCI slot. Designed to benefit from fast data interfaces, the M9170A can be integrated with other test and automation modules in PXI, Compact PCI, and Hybrid chassis. The PXI format offers high performance in a small rugged footprint and is an ideal deployment platform for many automated test systems. A wide array of complementary PXI products is currently available. Products include multimeters, waveform generators, local oscillators, digitizers, and switch multiplexers.

Software Platform

Drivers

Keysight's M9170A comes complete with software drivers for Windows XP, Windows Vista, Windows 7, and LabVIEW. Also included are application code examples for LabVIEW, LabWindows/CVI, Visual Studio, C, C++, and MATLAB.

Customized interface cables



Easy Setup ... Test ... and Maintenance

Soft Front Panel (SFP)

The M9170A graphical user interface guides developers through the module setup process. Users can quickly configure the module parameters. The interfaces are implemented using the IVI standard supporting both IVI-COM and IVI-C. The soft front panel provides an intuitive approach for program simulation and troubleshooting.

Figure 1 below shows the SFP of the M9170A, which allows the user to select the supply voltage, drive mode, and the switch/attenuator model (for each bank).

As shown in Figure 2a and 2b, the SFP provides a list of compatible switches and attenuators that could be driven by the M9170A. The flexibility of this PXI attenuator/switch driver module provides intuitive configuration for all Keysight switches and attenuators.

The soft front panel provides an overall dynamic dashboard view of the switch and/or attenuator status of the switching states and attenuation levels. In addition to the dynamic dashboard view, you can also run IVI command to get the required state and attenuation levels, whether the drive line is in OPEN state or GND state.

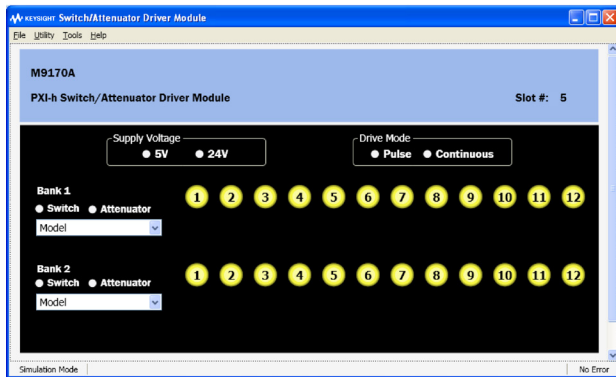


Figure 1. Soft front panel for M9170A

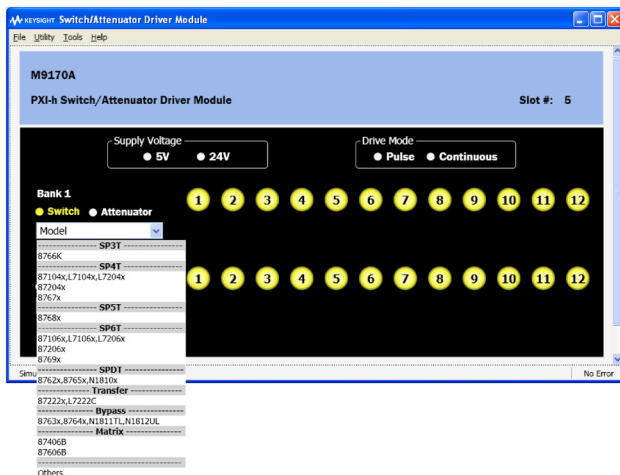


Figure 2a. Selection of switch models via M9170A soft front panel

Detailed configuration information is available in *Keysight M9170A Configuration Guide, 5991-0052EN*.

Easy software integration

Keysight's M9170A comes complete with software drivers for Windows XP, Windows Vista, Windows 7, and LabVIEW. Also included are application code examples for LabView, LabWindows/CVI, Visual Studio, C, C++, C#, Visual Basic, and MATLAB, which provide the M9170A setup and basic switching functionality. The application code examples are easily modified to quickly integrate the module into your measurement system.

Calibration intervals

The M9170A is factory calibrated and shipped with an ISO-9001, Functional Test Certificate (FTC).



Figure 3. Drive three SPDTs with M9170A using Option 601 interface cable

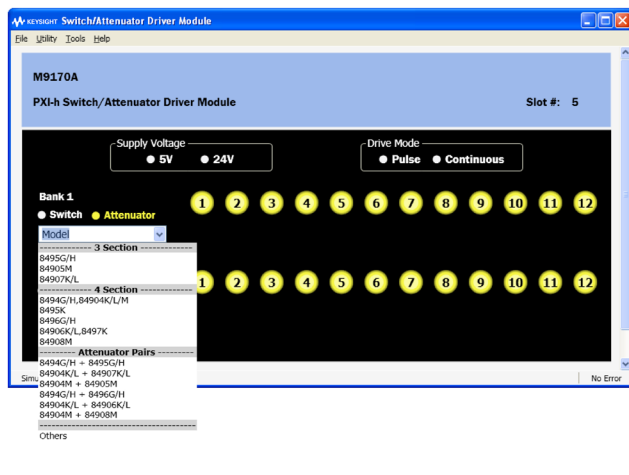


Figure 2b. Selection of attenuator models via M9170A soft front panel

Technical Specifications

Specifications				
Drive Power Supply	M9170A			
Voltage	23 ± 10% 4.5 ± 10%			
Current	1.0A for 24V supply 3.85A for 5V supply			
Power requirements				
Power consumption from the backplane supply is as follows:				
Voltage	+3.3 V	+5 V	-12 V	+12 V
Current	0.5 A	30 mA (min) 5.6 A (max)	0	30 mA (min) 0.8 A (max)
Dynamic characteristics				
Typical operating speed = 17 ms				
Input characteristics				
Channels = 24 single-coil non-latching relay drivers				
Environmental and physical specifications				
Temperature range				
Operating	0 to 55 °C			
Non-operating	-40 to 70 °C			
Relative humidity				
Operating	95% RH at 40 °C, 24 hours cycling, repeated 5 times			
Non-operating	50% RH at -10 to 25 °C, 24 hour cycle			
Vibration				
Operating random	5–500 Hz, 0.3 g RMS			
Survival random vibration	5–500 Hz, 3.41 g RMS			
Shock				
End use handling shock	Half sine wave form, 120 in/s, duration < 3 ms			
Transportation shock	Trapezoidal, 50 g			
Altitude test				
Operating/non-operation	15,000 ft (4600 m)			
ESD immunity				
Air discharge	15 kV per IEC61000-4-2			
Direct discharge	8 kV per IEC61000-4-2			
Safety	This product has input power below the requirements as specified in the Low Voltage Directive (2006/95/EC)			
EMC	EMC Standard: IEC 61326-1:2005 / EN 61326-1:2006 Emissions: CISPR 11:2003 / EN55011:2007 Immunity: IEC 61000-4-3:2002 / EN 61000-4-3:2002 Electrostatic Discharge: IEC 61000-4-2:2001 / EN 61000-4-2-1995+A1:1998+A2:2001 EMC/EMI:CE, C-Tick			
CE compliance	EMC Compatibility Directive (EMC): 2004/108/EC			
Warm-up time	Refer to PXI Chassis warm up time			
Dimensions				
M9170A	3U PXI/Compact PCI standard Front panel complies with IEEE 1101.10 certification and compliance. 174.8 x 128.7 x 20 mm			
Weight	230 g			
Connector compatibility	PXI-H, PXI-1, cPCI			

Configuration

Software

Model	Description
Software development platform	Microsoft Visual Studio with C/C++ Microsoft Visual Studio .NET with C# or Visual Basic, National Instruments LabVIEW, National Instruments, LabWindows CVI, The MathWorks MATLAB, Keysight VEE
Supported operating systems	Windows XP SP3, 32-bit Windows Vista 32/64-bit Windows 7 32/64-bit
Drivers provided	IVI-COM, IVI-C, LabView, MATLAB
Included GUI	Soft front panel
Application code examples	C, C++, C#, Visual Basic, VEE, MATLAB

Recommended configuration

Model	Description
M9018A	PXIe chassis, 18-slots, 3U, 8 GB/s
M9170A	PXI-h attenuator/switch driver module
M9170A-501	Interface cable, 20 pin to 9 pin DSUB (x6) for N1810x SPDT switch
N1810TL	Coaxial switch, DC up to 67 GHz, SPDT

Module and chassis compatibility

PXI chassis compatibility
Compatible with all chassis conforming to the 3U PXI and 3U cPCI specifications
Compatible with Keysight M9018A PXIe chassis, 18-slots, 3U, 8 Gb/s

Ordering information

Model	Description
M9170A	PXI-h attenuator/switch driver module
Options	
001	Interface cable, 20 pin to 10 pin DIP (x6) for transfer switch
002	Interface cable, 20 pin to 10 pin DIP for step attenuator
003	Interface cable, 20 pin to 12 pin Viking connector for step attenuator
201	Interface cable, 20 pin to 16 pin bare wire for solder lug switch
501	Interface cable, 20 pin to 9 pin DSUB (x6) for N1810x SPDT switch
601	Interface cable, 20 pin to 16 pin DIP (x2) for 8710x/L710x switch
602	Interface cable, 20 pin to 16 pin DIP (x2) for 8710x/L710x switch

Related products

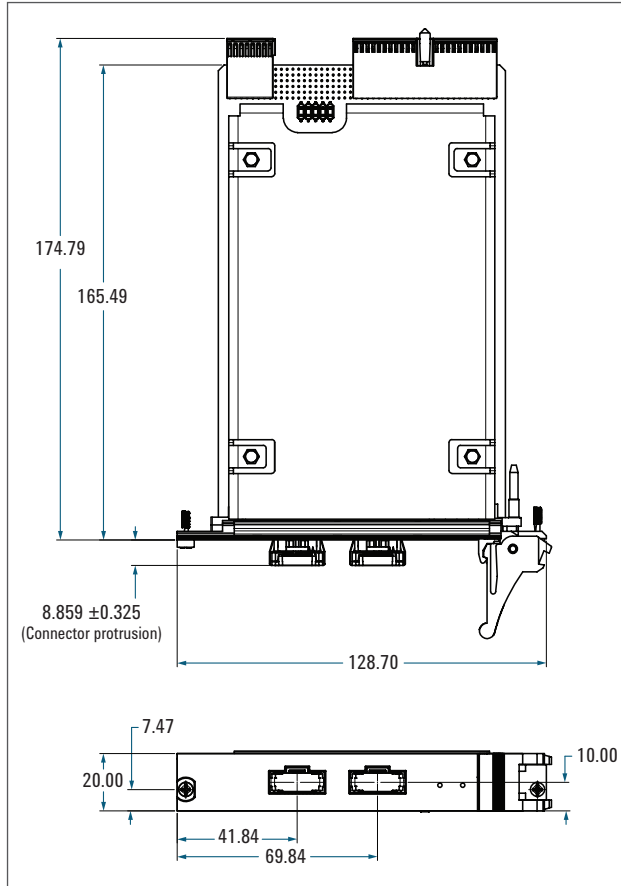
Model	Description
M9018A	PXIe chassis, 18-slots, 3U, 8 GB/s
87106C	Multipoint coaxial switch, DC to 26.5 GHz, SP6T
8765C	Coaxial switch, DC to 26.5 GHz, SPDT
8496G	Programmable attenuator, DC to 4 GHz, 110 dB, 10 dB steps
L7104A	Multipoint coaxial switch, DC to 4 GHz, SP4T, Terminated
8494H	Programmable attenuator, DC to 18 GHz, 11 dB, 1 dB step
M9155C	PXI dual SPDT coaxial switch, DC to 26.5 GHz, Underterminated
M9157C	PXI single SP6T coaxial switch, DC to 26.5 GHz, Terminated



Figure 4. M9170A can drive multiple switches and attenuators with the point-to-point interconnect

Mechanical Information

Dimensions are in mm nominal, unless otherwise specified.



myKeysight

myKeysight

www.keysight.com/find/mykeysight

A personalized view into the information most relevant to you.

http://www.keysight.com/find/emt_product_registration

Register your products to get up-to-date product information and find warranty information.



www.pxisa.org

PCI eXtensions for Instrumentation (PXI) modular instrumentation delivers a rugged, PC-based high-performance measurement and automation system.



Keysight Services

www.keysight.com/find/service

Keysight Services can help from acquisition to renewal across your instrument's lifecycle. Our comprehensive service offerings—one-stop calibration, repair, asset management, technology refresh, consulting, training and more—helps you improve product quality and lower costs.

Keysight Assurance Plans

www.keysight.com/find/AssurancePlans

Up to ten years of protection and no budgetary surprises to ensure your instruments are operating to specification, so you can rely on accurate measurements.

Keysight Channel Partners

www.keysight.com/find/channelpartners

Get the best of both worlds: Keysight's measurement expertise and product breadth, combined with channel partner convenience.

PICMG and the PICMG logo, CompactPCI and the CompactPCI logo, AdvancedTCA and the AdvancedTCA logo are US registered trademarks of the PCI Industrial Computers Manufacturers Group. "PCIe" and "PCI EXPRESS" are registered trademarks and/or service marks of PCI-SIG.

www.keysight.com/find/modular

www.keysight.com/find/PXIdriver

www.keysight.com/find/PXlattenuator

For more information on Keysight Technologies' products, applications or services, please contact your local Keysight office. The complete list is available at: www.keysight.com/find/contactus

Americas

Canada	(877) 894 4414
Brazil	55 11 3351 7010
Mexico	001 800 254 2440
United States	(800) 829 4444

Asia Pacific

Australia	1 800 629 485
China	800 810 0189
Hong Kong	800 938 693
India	1 800 11 2626
Japan	0120 (421) 345
Korea	080 769 0800
Malaysia	1 800 888 848
Singapore	1 800 375 8100
Taiwan	0800 047 866
Other AP Countries	(65) 6375 8100

Europe & Middle East

Austria	0800 001122
Belgium	0800 58580
Finland	0800 523252
France	0805 980333
Germany	0800 6270999
Ireland	1800 832700
Israel	1 809 343051
Italy	800 599100
Luxembourg	+32 800 58580
Netherlands	0800 0233200
Russia	8800 5009286
Spain	800 000154
Sweden	0200 882255
Switzerland	0800 805353
	Opt. 1 (DE)
	Opt. 2 (FR)
	Opt. 3 (IT)
United Kingdom	0800 0260637

For other unlisted countries:

www.keysight.com/find/contactus
(BP-9-7-17)



www.keysight.com/go/quality

Keysight Technologies, Inc.
DEKRA Certified ISO 9001:2015
Quality Management System

