

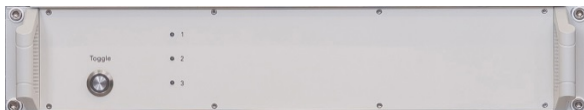
AXOS SWITCH BOX

Switch box for connecting multiple units to AXOS (e.g. FP-COMB 32, TW 8, DIP 116)

■ The **SWITCH BOX** is a simple extension of the AXOS⁵/AXOS⁸ Test System used to connect multiple AXOS accessories. These accessories are automatically controlled by the AXOS but typically require the exchange of cables since there is only a single Link port on the AXOS unit.

In the front view there are three LED diodes which indicate the active output #1, #2, or #3 depending on customer selection. Units are automatically recognized by the AXOS and become ready for use.

The **SWITCH BOX** has been designed to help skip the manual reconnection of accessories with the AXOS, thus reducing the time needed for test set-up.



FEATURES

- AXOS recognizes the type of connected accessory unit via Switch Box
- Useable with rack or stand-alone solution

BENEFITS

- Zero cable exchanges while changing type of test saves time and hassle
- Interconnect cables included for ready-to use plug and play functionality

APPLICATIONS

- Interconnect AXOS with up to 3 external accessory units

TECHNICAL SPECIFICATIONS

Mains Power Supply	Powered by AXOS ⁵ / AXOS ⁸
Dimensions (WxHxD)	(45 x 9 x 31) cm
Rack Size	19" / 2HU – 3.5" (88.9mm)
Weight	5kg net weight (11.02lbs)
Output Connection	3x female SUB-D 37p
Input Connection	1x male SUB-D 37p
Output Control	Via "Toggle" button

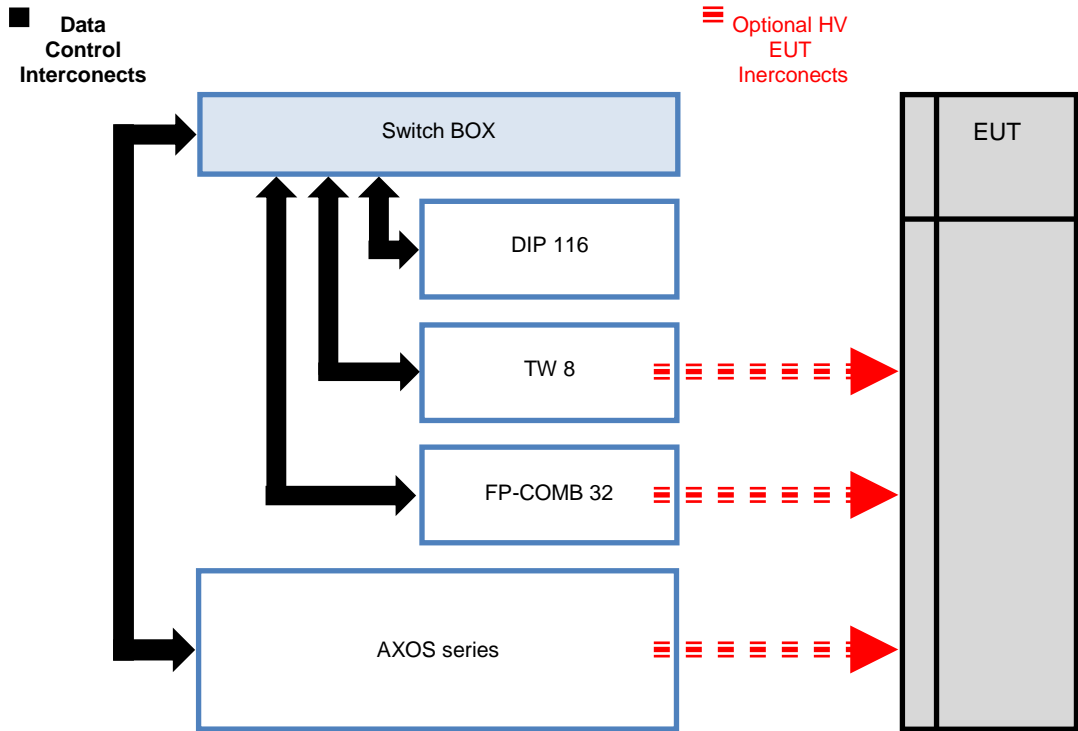
SCOPE OF SUPPLY - SWITCH BOX ART. NO. 4701044 + (ACCESSORIES)

Qty. 1	Switch box
Qty. 1	Male/Female cable SUB-D 37p 1m

RELATED PRODUCTS

TW 8	AXOS ⁵
FP-COMB 32	AXOS ⁸
DIP 116	

Block Diagram – Interconnects of Haefely Switch BOX & Haefely Devices



OFFICES:

Europe
Haefely Test AG
Birsstrasse 300
4052 Basel
Switzerland
☎ + 41 61 373 4111
☎ + 41 61 373 4912
✉ sales@haefely.com

China
Haefely Test AG Representative Beijing Office
8-1-602, Fortune Street
No. 67, Chaoyang Road, Chaoyang District
Beijing, China 100025
☎ + 86 10 8578 8099
☎ + 86 10 8578 9908
✉ sales@haefely.com.cn

North America
Hipotronics, Inc.
1650 Route 22 N
Brewster, NY 10509
United States
☎ + 1 845 279 3644
☎ + 1 845 279 2467
✉ sales@hipotronics.com