

Keysight 81595B

Modular Optical Switches

[Data Sheet](#)



Introduction

The Keysight Technologies, Inc. 81595B 1x4 optical switch module is available for both single-mode and multimode fiber applications. These can be used in all Keysight 816x Lightwave mainframes and support automation while improving measurement repeatability. The multimode switch has excellent mode fidelity.

- 81595B Option 009: 1x4 switch for single-mode fiber
- 81595B Option 062: 1x4 switch for multimode fiber

Key Features

Wide wavelength range	Single mode	1270 nm to 1670 nm
	Multimode	700 nm to 1400 nm
Excellent repeatability	±0.030 dB (maximum variation over 10,000 random cycles)	
Low insertion loss	Single mode	2.0 dB, < 1.25 dB typ.
	Multimode	2.0 dB, < 1.0 dB typ.
Connector types	Single mode	FC/APC (narrow keying)
	Multimode	FC/PC straight
Modular design, allowing up to 17 switches in one mainframe		



The 1 x 4 optical switch has four positions:

Modular Design for Solution Platform

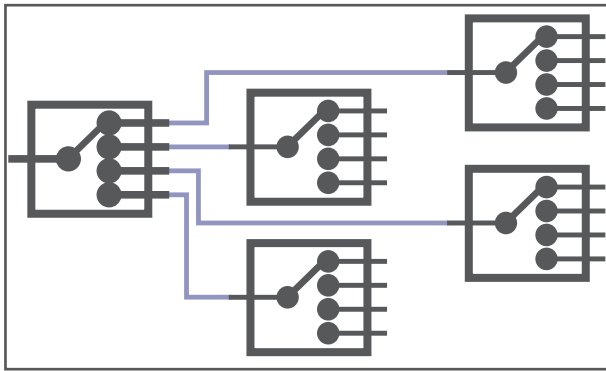
These modules enable manufacturers of optical and network components to automate their processes by routing optical signals when testing devices such as line cards, amplifiers, and active and passive components. Adding modular optical switches to this instrument platform allows flexible and cost effective all-in-one solutions to be developed for optical component test in automated test environments.

Switching Reduces Uncertainty from Connections and Eases

Test Automation

These modular switches can be used to avoid repeated reconnections during your measurements and are critical to automated procedures. The low IL and PDL and high repeatability assure minimum impact of the switch on measurement accuracy.

Switching can be performed from the button on the module, from the mainframe interface and via GPIB control. The compact form and high performance allow combining switches for multistage setups, like five 1x4 modules.



Modal Fidelity for Multimode Fiber Systems

Signals in multimode fibers are distributed over a range of mode groups that can have different loss and delay in a link. For dependable multimode transceiver testing, the instrument used to set the power level should not change this modal distribution. The Keysight multimode switches are designed with very short collimated paths between fiber, so signals propagate in practically the same distribution as through uninterrupted multimode fiber.

Modular Optical Switch Specifications

81595B		
Switch type	1 x 4	
Fiber interface	# 009 single mode	# 062 multimode
Fiber type	9/125 μ m SMF	62.5/125 μ m MMF
Connectivity	FC/APC - R angled	FC/PC straight
Wavelength range	1270 nm to 1670 nm	700 nm to 1400 nm
Insertion loss	< 2.0 dB, < 1.25 dB typ. ⁴	< 2.0 dB, < 1.0 dB typ. ¹
Polarization dependent loss	typ. 0.07 dBpp	NA
Repeatability ²	\pm 0.03 dB	\pm 0.03 dB ¹
Return loss	typ. 55 dB	typ. 20 dB
Crosstalk	typ. -70 dB	typ. -70 dB
Switching time	< 10 ms	
Lifetime	> 10 million cycles	
Maximum input power	\pm 20 dBm	
Dimensions (H x W x D)	75 mm x 32 mm x 335 mm (2.9" x 1.3" X 13.2")	
Weight	0.5 kg	
Operating temperature	10 °C to 45 °C	
Storage temperature ⁵	-40 °C to 70 °C	
Humidity	Non-condensing	
Warm-up time	30 min.	

1. Specification is typical with 50/125 μ m multimode fiber.
2. Worst case measurement deviation over 10,000 random switching cycles.
3. For λ = 1550 nm; for 1270 nm < λ < 1670 nm add 0.3 dB.
4. For λ = 1550 nm; for 1270 nm < λ < 1670 nm add 0.6 dB.
5. Allow minimum acclimatization of 2 hours if previously stored outside operating temperature range before turning on the module.

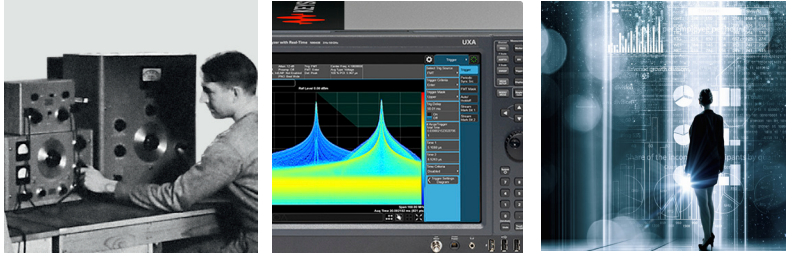
Ordering information:

- Modules for single mode fiber interface: #009
- Modules for multimode fiber interface: #062

Evolving Since 1939

Our unique combination of hardware, software, services, and people can help you reach your next breakthrough. We are unlocking the future of technology.

From Hewlett-Packard to Agilent to Keysight.



For more information on Keysight Technologies' products, applications or services, please contact your local Keysight office. The complete list is available at:

www.keysight.com/find/contactus

Americas

Canada	(877) 894 4414
Brazil	55 11 3351 7010
Mexico	001 800 254 2440
United States	(800) 829 4444

Asia Pacific

Australia	1 800 629 485
China	800 810 0189
Hong Kong	800 938 693
India	1 800 11 2626
Japan	0120 (421) 345
Korea	080 769 0800
Malaysia	1 800 888 848
Singapore	1 800 375 8100
Taiwan	0800 047 866
Other AP Countries	(65) 6375 8100

Europe & Middle East

Austria	0800 001122
Belgium	0800 58580
Finland	0800 523252
France	0805 980333
Germany	0800 6270999
Ireland	1800 832700
Israel	1 809 343051
Italy	800 599100
Luxembourg	+32 800 58580
Netherlands	0800 0233200
Russia	8800 5009286
Spain	800 000154
Sweden	0200 882255
Switzerland	0800 805353
	Opt. 1 (DE)
	Opt. 2 (FR)
	Opt. 3 (IT)
United Kingdom	0800 0260637

For other unlisted countries:

www.keysight.com/find/contactus
(BP-9-7-17)

myKeysight

myKeysight

www.keysight.com/find/mykeysight

A personalized view into the information most relevant to you.

http://www.keysight.com/find/emt_product_registration

Register your products to get up-to-date product information and find warranty information.

KEYSIGHT SERVICES

Accelerate Technology Adoption.
Lower costs.

Keysight Services

www.keysight.com/find/service

Keysight Services can help from acquisition to renewal across your instrument's lifecycle. Our comprehensive service offerings—one-stop calibration, repair, asset management, technology refresh, consulting, training and more—helps you improve product quality and lower costs.



Keysight Assurance Plans

www.keysight.com/find/AssurancePlans

Up to ten years of protection and no budgetary surprises to ensure your instruments are operating to specification, so you can rely on accurate measurements.

Keysight Channel Partners

www.keysight.com/find/channelpartners

Get the best of both worlds: Keysight's measurement expertise and product breadth, combined with channel partner convenience.

www.keysight.com/comms/lightwave

DEKRA Certified
ISO 9001 Quality Management System

www.keysight.com/go/quality

Keysight Technologies, Inc.
DEKRA Certified ISO 9001:2015
Quality Management System



This information is subject to change without notice.

© Keysight Technologies, 2017
Published in USA, December 2, 2017
5989-1287EN
www.keysight.com